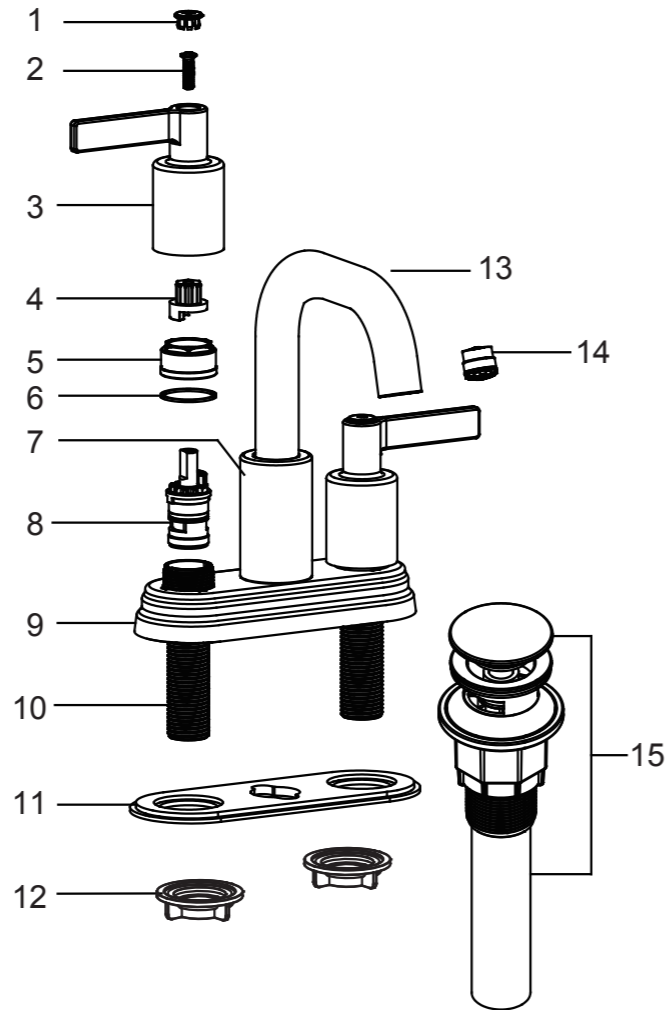


Replacement Parts / Pièces de rechange / Repuestos

NO.	Description	Part No.
1	Index H&C	06806&06807**
2	Screws	06803
3	Handles	28802**
4	Inverter H&C	06628&06629
5	Bonnet	04009CP
6	Washer	07220
7	Spout nut	04506**
8	Ceramic cartridge	06840
9	Escutcheon	60813**
10	Body assembly	04558
11	Base plate	206814
12	Mounting nuts	06816
13	Spout	04527**
14	Aerator	22512
15	Push-up Pop-up Drain	76800**



UF46700
UF46703
UF46707
UF46708

KREE Series

4" Two Handle Lavatory Faucet
with Push up Pop-up Drain



Installation/Installation/Instalación

CUSTOMER SERVICE

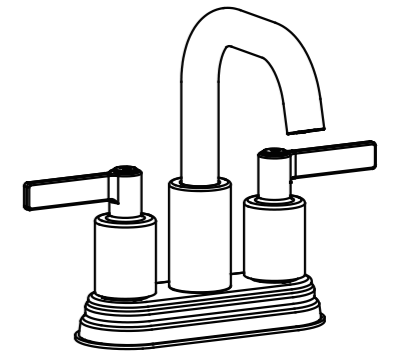
TOLL-FREE 1-888-OK-ULTRA (658-5872)

UF46700 - Chrome

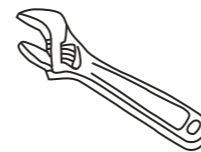
UF46703 - Brushed Nickel

UF46707 - Matte Black

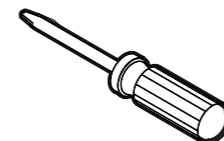
UF46708 - Brushed Gold



Tools You Will Need / Outils dont vous aurez besoin / Herramientas necesarias



Adjustable Wrench
Clé à molette
Llave ajustable



Phillips Screwdriver
Tournevis Phillips
Destornillador cruciforme



Pipe Tape
Ruban pour tuyau
Cinta selladora para rosca



Groove join pliers
Pince multiprise
Pinzas ajustables

Limited Lifetime Warranty

Ultra Faucets warrants to the original purchaser that its products will be free from defects in workmanship and materials. All Ultra Faucets are provided with a life time limited warranty. This warranty does not cover any other labor or service charges associated with the removal, repair, or reinstallation of Ultra Faucets products. This express warranty does not apply to products that have been damaged as a result of misuse, abuse, negligence, accident, faulty installation or maintenance practices and/or used in any manner contrary to those recommended by the manufacturer.

Need help? Please call our toll-free customer service line at 1-888-658-5872 for additional assistance or service.

Besoin d'aide? Veuillez communiquer avec notre service à la clientèle au numéro gratuit 1-888-658-5872 pour tous renseignements ou services complémentaires.

¿Requiere asistencia? Llame a nuestro Servicio al Cliente, sin costo, al 1-888-658-5872 para asistencia adicional o servicio.

SAFETY TIPS

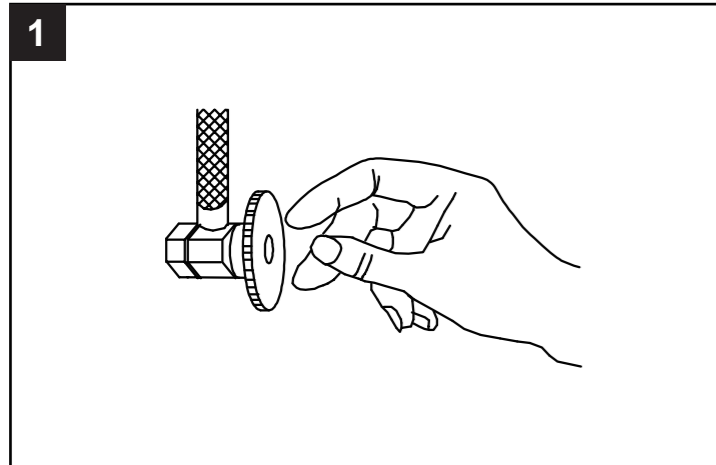
- If you use soldering for the installation of the faucet, the seats, cartridges and washers will have to be removed before using flame. Otherwise, warranty will be void on those parts.
- Cover your drain to avoid losing parts.
- 0°C~55°C.

CONSIGNES DE SÉCURITÉ

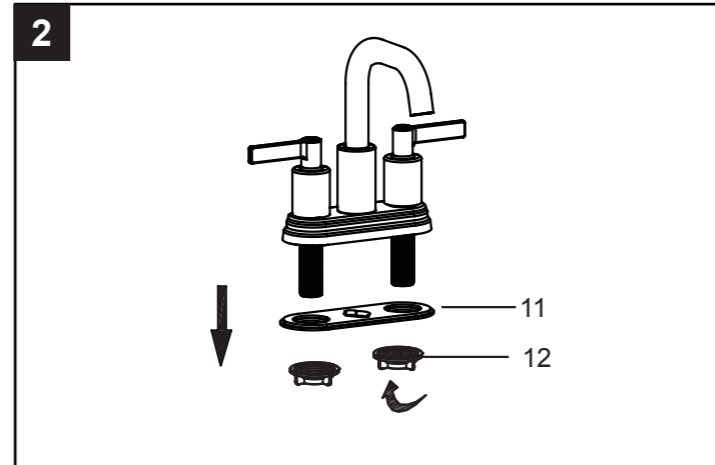
- Si vous posez le robinet par brasage, il est essentiel de retirer les sièges, les cartouches et les rondelles avant d'appliquer la flamme, faute de quoi la garantie sur ces pièces sera annulée.
- Couvrez le drain pour ne pas perdre des pièces.
- 0°C~55°C.

CONSEJOS DE SEGURIDAD

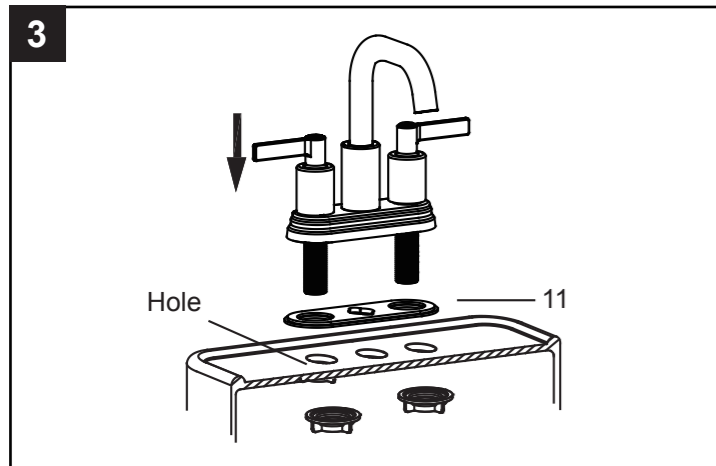
- En el caso de utilizar soldadura para instalar el grifo, remueva los asientos, cartuchos y arandelas antes de usar la llama. De lo contrario, se anulará la garantía para esos componentes.
- Tape la boca del desagüe para prevenir la pérdida de piezas pequeñas.
- 0°C~55°C.



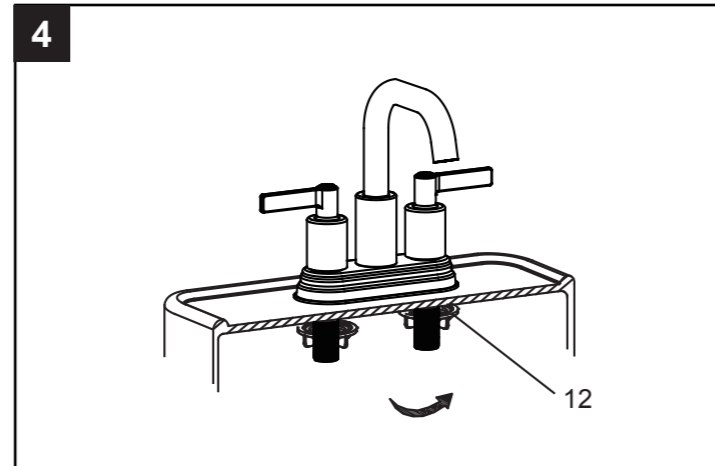
Shut off water supplies. Remove old faucet. Clean sink surface in preparation for new faucet.



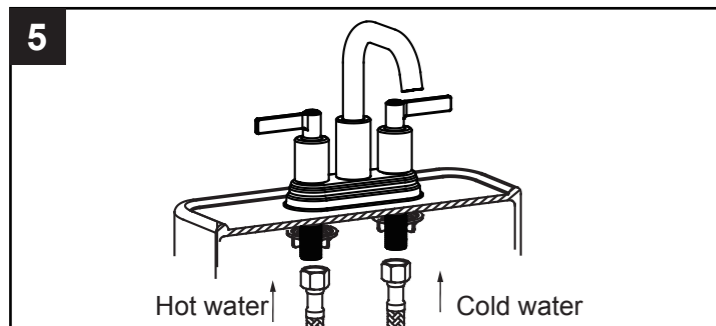
Remove base plate(11) and mounting nuts(12) from threaded mounting pipe.



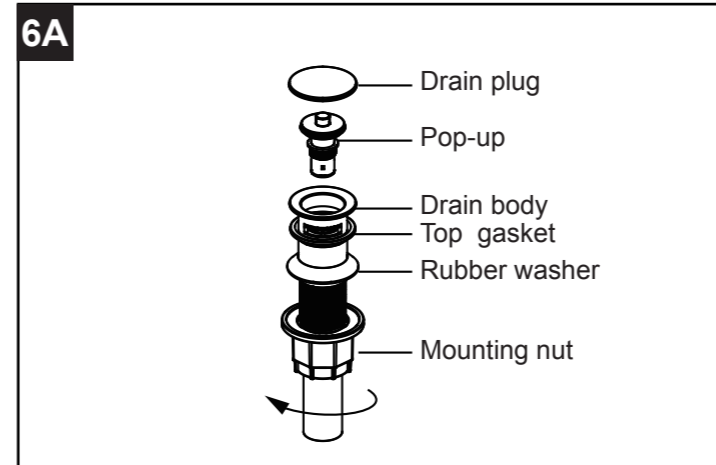
Apply a small amount of putty to the groove along the bottom outer edge of the base plate(11). Secure base plate to faucet. Install faucet through holes in sink or countertop.



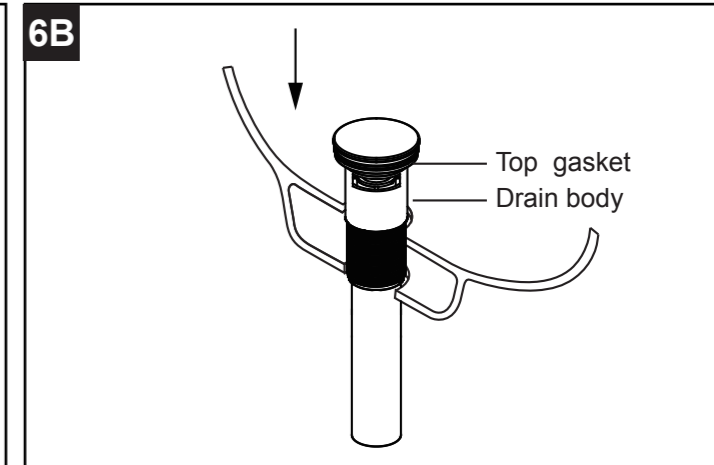
Tighten mounting nuts(12) onto threaded mounting pipe from underneath the countertop or sink, (HAND-TIGHTEN ONLY).



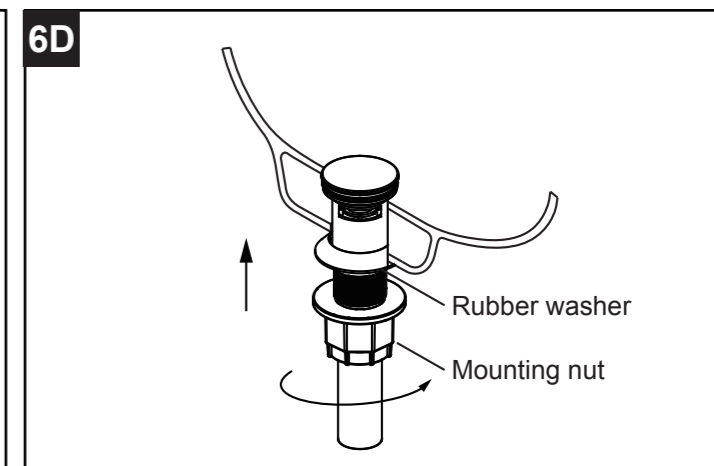
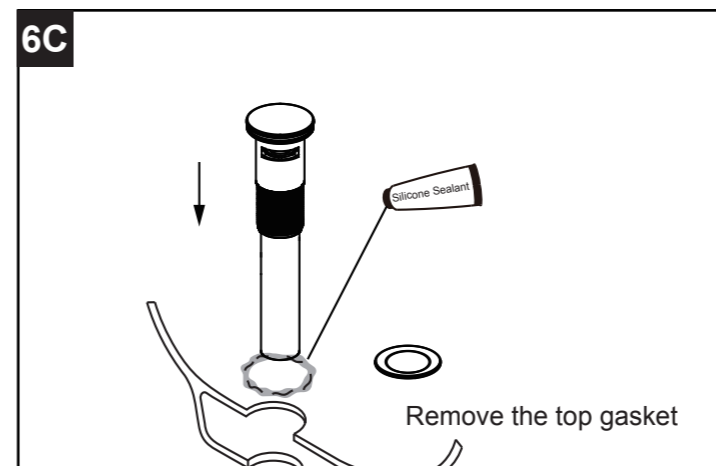
Thread hot & cold waterlines (not included with faucet) to threaded mounting pipe.(A. Hot Side: Left, B. Cold Side: Right).Secure other end of waterlines to the angle stops. Tighten both ends with adjustable wrench until snug. Turn angle stops on and check for leaks (DO NOT TURN ON FAUCET). Please Note: Recommended waterlines: 3/8 in. OD x 1/2 in. IPS



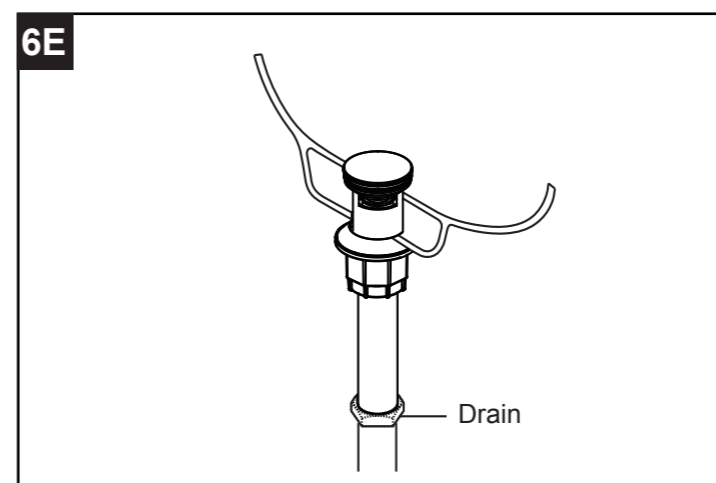
NOTE: Check that you have the appropriate drain for your sink. * If you are installing this pop-up in a sink that has an electronic faucet, please use the plastic tailpiece.



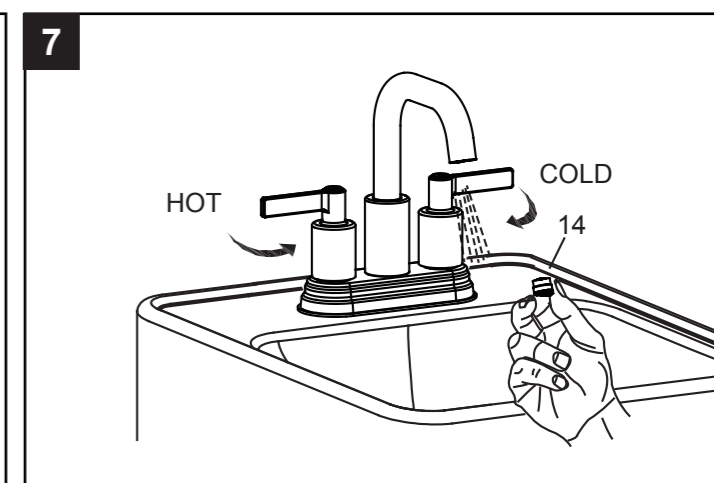
Insert body into sink. If you wish to use silicone as a seal, remove the top gasket and apply silicone to underside of drain body. Otherwise, leave gasket in place.



Apply silicone grease to the inside diameter of the rubber washer and threads on drain body and assemble. Install mounting nut and hand tighten to the sink.



Connect assembly to drain.



Loosen aerator with wrench or coin. Remove aerator(14). Turn water on for 1 minute to remove any debris. Reassemble aerator(14).